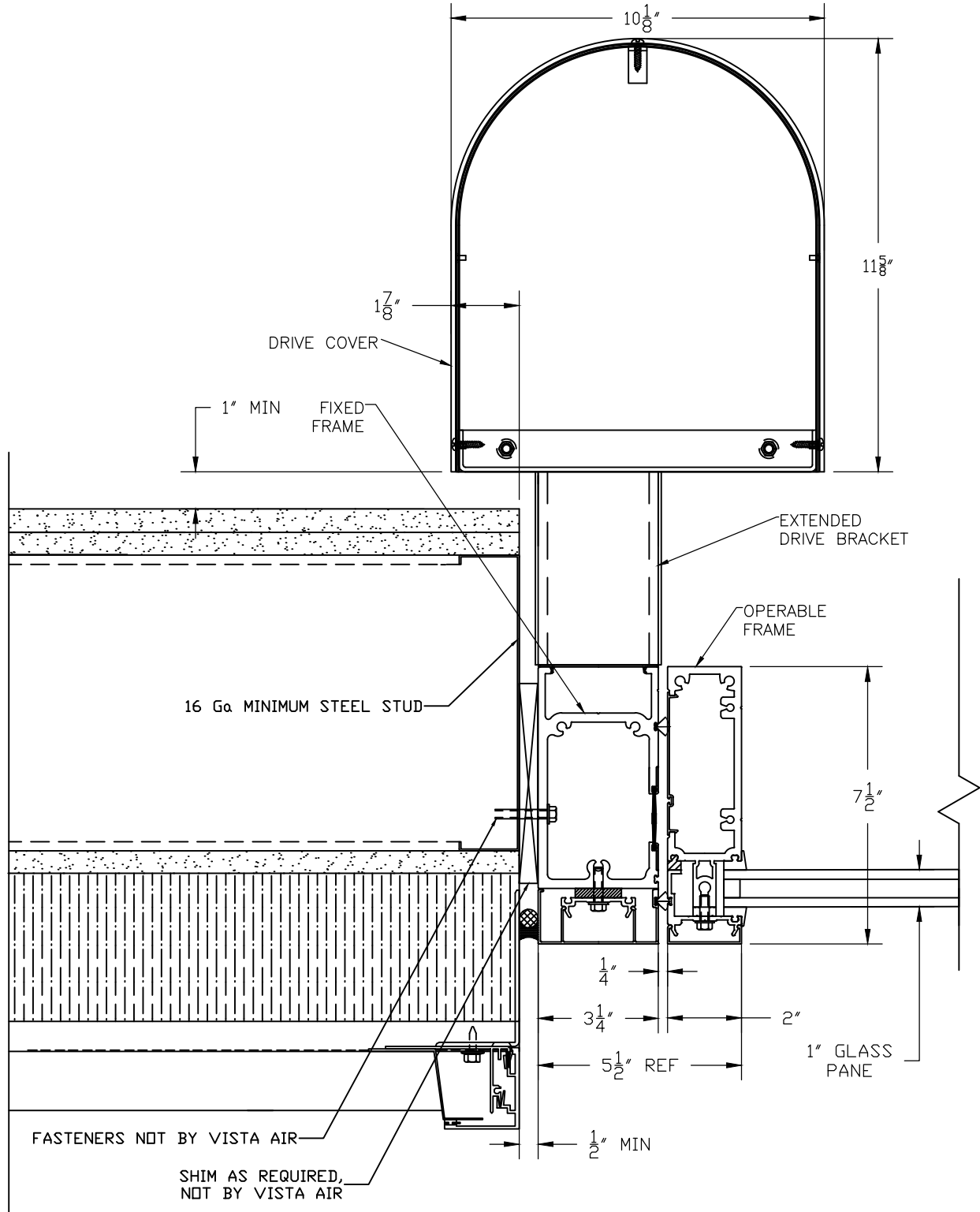



STEEL HEADER MOUNTING CONDITION JAMB DETAIL



 <p style="margin: 0;">Vista Air Vertically Folding Walls</p>	<p>49 MEEKER AVENUE CRANFORD, NEW JERSEY PHONE: 1-800-631-7379 FAX: 908-272-5844</p>	PROJECT: VISTA AIR WALL	REVISION:
		TITLE: STEEL HEADER	DATE: 01-17-17
		SCALE: 1:4	SHEET:
		DRW BY: R. GEIST	DRW NO : RD-8000