



Vista Air™ Inspection and Maintenance



VISTA AIR DOOR MAINTENANCE & INSPECTION

Table of Contents

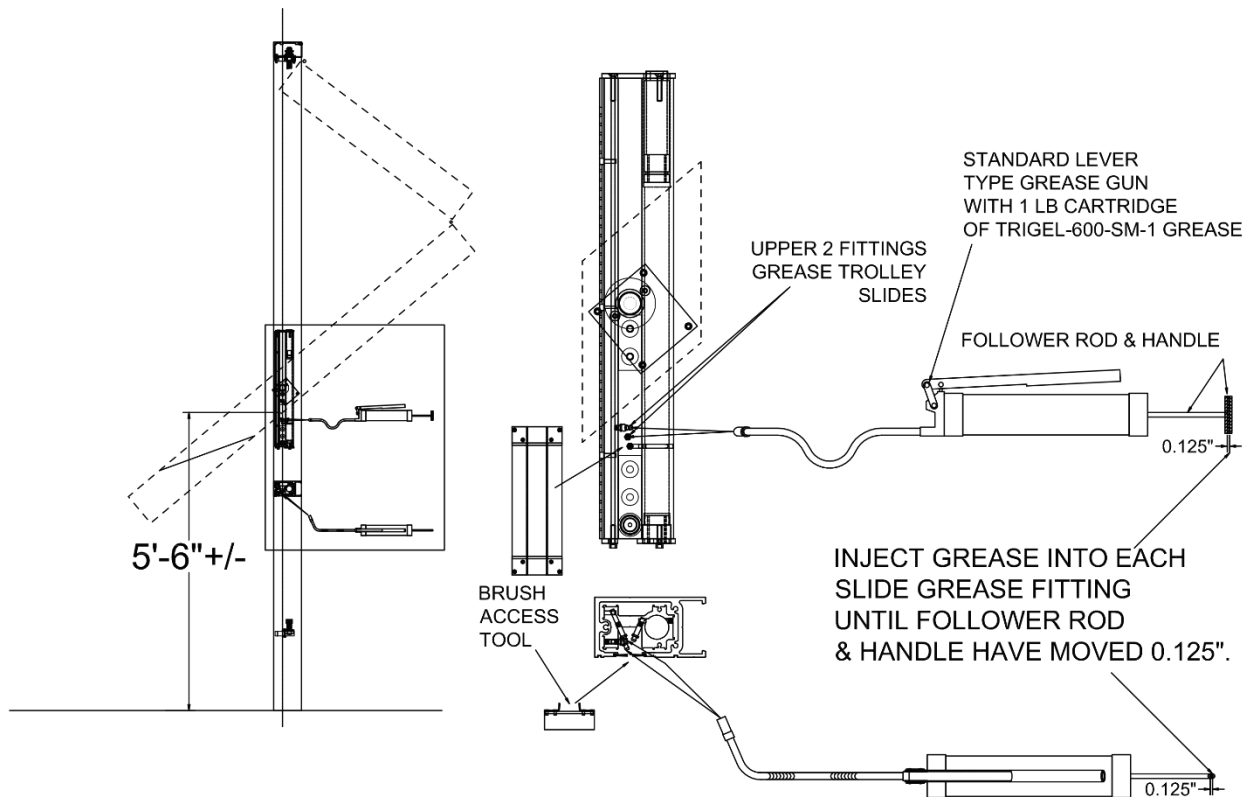
1. Service Interval
2. Lubrication
3. Position of Safety Nut
4. Chain Tensioning
5. Limit Switch and Safety Eye Operation
6. Door Operation
7. Warranty

1. Service Interval:

VISTA AIR DOOR, SERVICE INTERVALS														
SERVICE	SERVICE INTERVAL (NUMBER OF CYCLES OR MONTHS)													
SERVICE INTERVAL (NUMBER OF CYCLES)	2500				5000				7500					10000
SERVICE INTERVAL (NUMBER OF MONTHS)		12	24	36		48	60	72		84	96	108	120	
Lubricate lead screw	X				X				X					X
Lubricate trolley slides	X				X				X					X
Lubricate drive & lead screw chains		X	X	X		X	X	X		X	X	X	X	
Inspect door for proper operation.		X	X	X		X	X	X		X	X	X	X	
Check:		X	X	X		X	X	X		X	X	X	X	
-drive & lead screw chain tension		X	X	X		X	X	X		X	X	X	X	
-limit switch operation		X	X	X		X	X	X		X	X	X	X	
-safety eye operation		X	X	X		X	X	X		X	X	X	X	
-position of safety nut		X	X	X		X	X	X		X	X	X	X	
-Gaskets and Seals (All)		X	X	X		X	X	X		X	X	X	X	
-Chain glide material		X	X	X		X	X	X		X	X	X	X	
-for loose fasteners:		X	X	X		X	X	X		X	X	X	X	
cam wheels		X	X	X		X	X	X		X	X	X	X	
hinge pins & hinge attachment bolts		X	X	X		X	X	X		X	X	X	X	
lead screw top securement nut		X	X	X		X	X	X		X	X	X	X	
panel assembly bolts		X	X	X		X	X	X		X	X	X	X	
jamb/building attachment anchors		X	X	X		X	X	X		X	X	X	X	

2. Lubrication:

Position door as shown below.



Procedure:

-Using brush access tool, provide access to grease fittings within trolley recess. Inject grease into appropriate fittings per attached drawings.

-Lead Screw: See drawing "Lead Screw Lubrication Procedure"

-Drive and Lead Screw Chains: Spray lubricant:

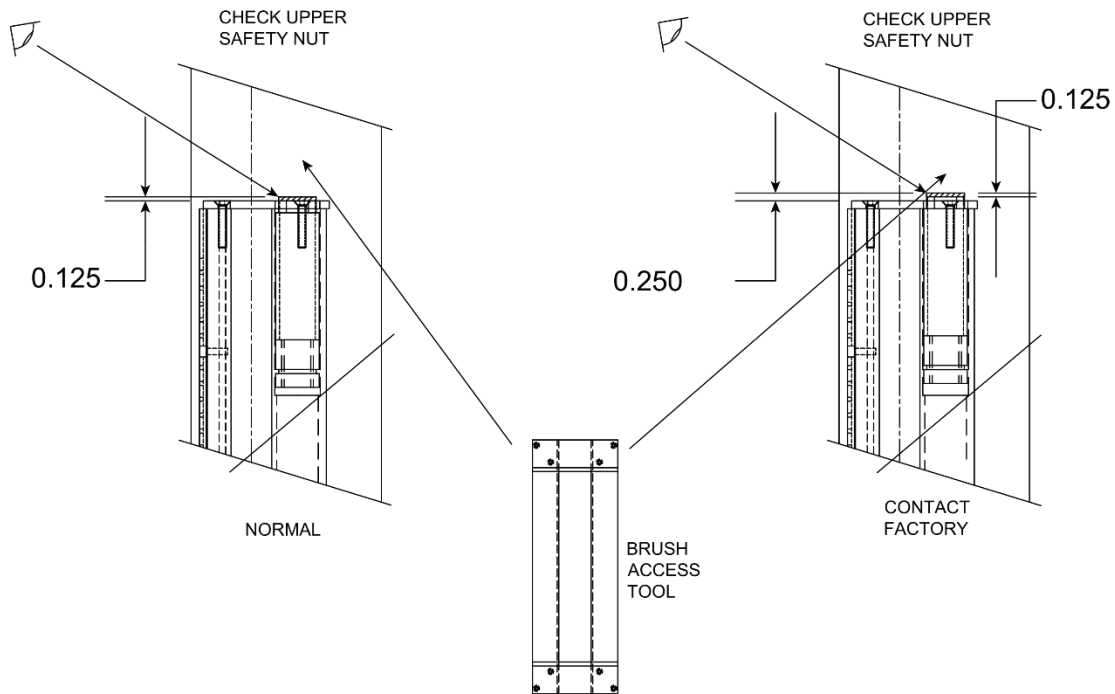
- a) Dry film penetrating lubricants with PTFE or graphite.
- b) Lubricants with Molybdenum Disulphide.

Remove drive and lead screw chain covers.

HAVE A HELPER AVAILABLE TO OPERATE THE DOOR!

Operate door: Apply spray lubricant sparingly to chains to prevent dripping of lubricant while assuring adequate transfer of lubricant to the chains. If necessary, stop the door and wipe excess lubricant off chains to prevent dripping.

3. Position of Safety Nut:



Procedure:

-Using brush access tool, view top of safety nut. If top of safety nut is 1/8" above top of trolley, system is OK. If top of safety nut is 1/4" above trolley, contact factory.

4. Chain Tensioning:

Procedure:

-Drive Chain: Loosen drive mounting bolts and slide drive until chain has no sag between sprockets. Tighten drive mounting bolts.

-Lead Screw Chain: NOTE: Chain tightening is accomplished by removing a half link joiner or removing an outer/inner link pair and re-installing a half link joiner plus a full link joiner.

Operate door manually until chain joiner is accessible.

a) If joint consists of one half link joiner plus one full link joiner.

Position chain holder.

Remove the half link joiner and reconnect the chain with the full link joiner.

b) If joiner consists of a full link joiner.

Position chain holder.

Remove full link joiner.

Using a chain breaker, remove next outside link and discard along with the attached inner link.

Reconnect chain with the full link joiner plus one half link joiner.

5. Limit Switch and Safety Eye Operation:

Procedure:

-Remove fixed jamb rear cover from motor drive side jamb.

-Limit Switches:

Operate door and check that limit switches are stopping door at full open and full closed positions.

If necessary adjust switch(s) by loosening switch bracket clamp nut and repositioning switch(s) until satisfactory door positioning is achieved.

-Safety Eye and Switch:

Operate door on closing cycle. At various door panel positions, cover the safety eye and observe the door. It should stop and reverse, opening fully.

When the trolley contacts the safety eye limit switch the bottom of the lower door panel should be within 6 inches from the floor.

6. Door Operation:

-Open and close door fully. Check that door operates smoothly with no vibration.

Listen for any abnormal noises.

Check fasteners for tightness and correct as necessary.



Construction Specialties, Inc.
49 Meeker Avenue
Cranford, N.J. 07016
908.272.5200 Fax 908.272.5844
www.c-sgroup.com

VISTA AIR™ ONE YEAR LIMITED WARRANTY

Construction Specialties, Inc. (hereinafter referred to as "CS") warrants to the original purchaser of the Vista Air (the "Product"), subject to all of the terms and conditions hereof, that the Product will be free from defects in materials and workmanship under normal use and service for a period of one (1) year from the date of installation when the Product has been installed and maintained in accordance with CS's instructions.

This warranty does not apply to scratched, dented, damaged or corroded areas of the frame. This limited warranty does not apply to any Product which has been damaged or deteriorated or otherwise malfunctions due to abuse, misuse, neglect, accident, failure to provide necessary maintenance, improper installation, improper handling, fire, hail, hurricanes, tornadoes, flood, wind or any other acts of God or nature, normal wear and tear, atmospheric and other local conditions, whether naturally occurring or man-made, including, but not limited to: exposure to corrosive chemicals, fumes, salt spray, ash, cement dust, animal waste or foreign substances, vandalism, or any other cause beyond the reasonable control of CS. This limited warranty does not apply to any Product which has been the subject of any unauthorized modification, alteration or repair.

CS's sole obligation under this limited warranty is limited to the repair or replacement, at its option, of the Product or any part thereof, which is determined by CS to be defective during the applicable warranty period. This limited warranty is made to the original purchaser of the Product only and is not transferable or assignable.

THIS WARRANTY IS EXCLUSIVE AND IN LIEU OF ANY OTHER WARRANTIES, EXPRESS OR IMPLIED, INCLUDING BUT NOT LIMITED TO ANY IMPLIED WARRANTY OF MERCHANTABILITY OR FITNESS FOR A PARTICULAR PURPOSE, WHICH ARE HEREBY EXPRESSLY EXCLUDED AND DISCLAIMED.

IN NO EVENT SHALL CS BE RESPONSIBLE FOR, OR LIABLE TO ANYONE FOR, ANY INCIDENTAL, CONSEQUENTIAL, SPECIAL, INDIRECT, COLLATERAL OR PUNITIVE DAMAGES, even if CS has been advised of the possibility of such damages. Such excluded damages include, but are not limited to, loss of goodwill, loss of profits, loss of use, cost of any substitute product, interruption of business, or other similar indirect financial loss.

CS's obligations under this warranty are conditioned upon the original purchaser giving written notice of such defect to CS at the address above within the warranty period and not later than fifteen (15) days from the date that purchaser discovers such alleged defect. Purchaser shall indicate the nature of the alleged defect in the notice and shall permit CS the right to inspect the Product within a reasonable period of time. If a defect is verified by inspection of CS or its authorized designees, CS will replace or repair, at its option, the defective Product. Proof of purchase and/or installation date, and identification of the original purchase, may be required.